



Sovitron Interior Pvt.Ltd.



Model Name

SILAS-WL4 Wall Light/ DL-OMT-15302-30

Description

Wall light (Direct-Indirect)

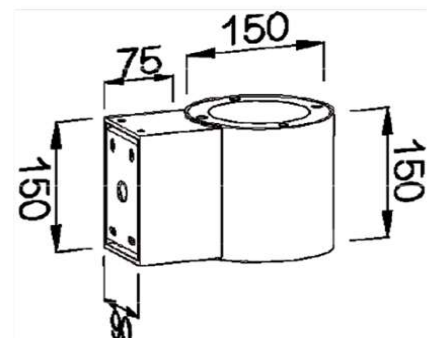
Technical description

Dimension	Dia=150mm H=150mm
Frame	Aluminium Die-cast
Color Tempertaure	3000K
Power	2x15W
Total Luminous Flux	2400 lm
Efficacy	80 lm/W
IP rating	65
Beam angle	12/24/36/60 Degree
Color Rendering	≥80
Mounting	Surface
Optics	Glass Lens
Dimming	NON-Dimmable
Operating Voltage	220-240 VAC
Standard Lifetime	L70 minimum at 50,000 burning hours

Image



Dimension diagram



Remarks:-

Address: Plot #7 Saroorpur-Nangla Industrial Area, Ballabgarh-Sohna Road, Faridabad-121005

Email: info@sovitron.com